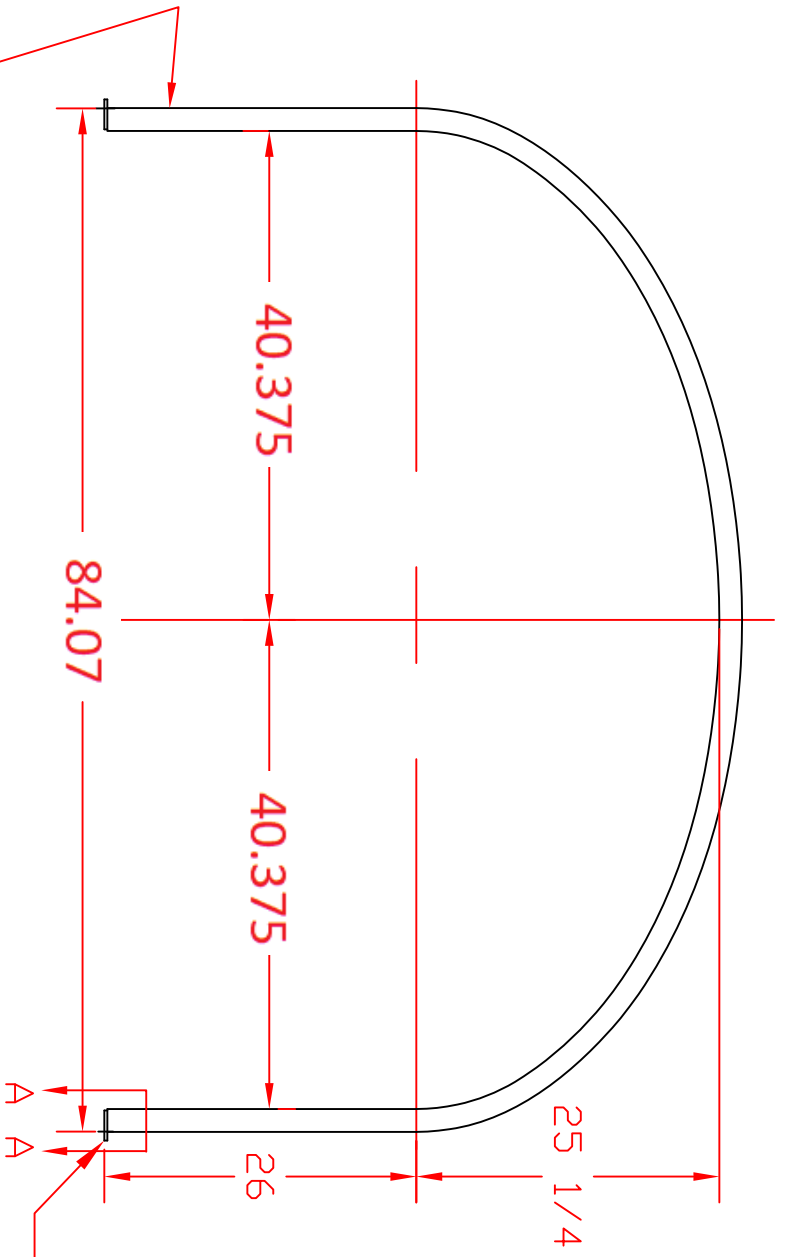
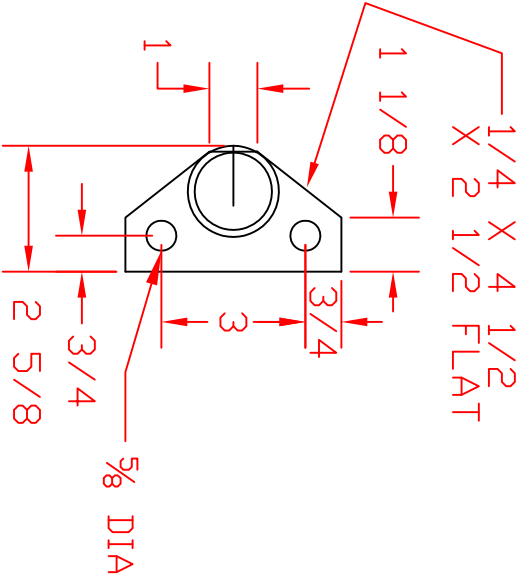


REVISIONS				
ZONE	REV	DESCRIPTION	DATE	APPROVED
	A	UPDATED THE BAND WIDTH	APR-2021	



1 1/2" SCHEDULE 10 PIPE

FDB: LANCASTER, OH
 GRIFFIN, GA
 TODELE, UT
 HANFORD, CA



VIEW A-A
 1/4 SCALE

NOTE: PAINT FOOT GOLD

 ST. BONIFACIUS, MN		JTP 17DEC10	
		BAND, 2035 ELLIPTICAL LEG TANK (EAST/WEST)	
SCALE 1/16	SIZE A	FSCM NO.	DWG NO. 63840
			REV A
		SHEET	